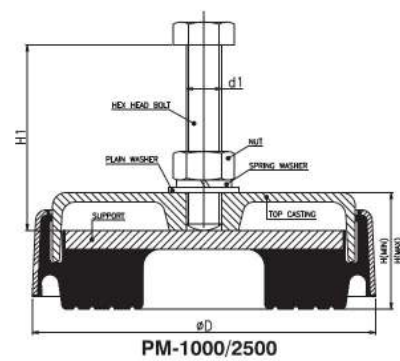
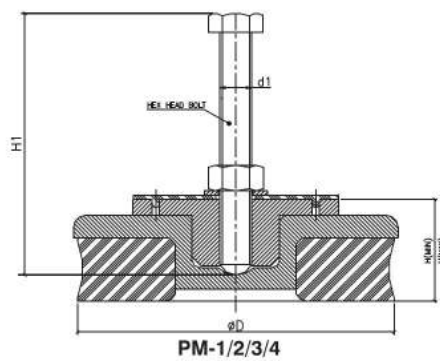


PART NO	PSN - 1	PSN - 2	PSN - 3	PSN - 4
ØD	80 mm	120 mm	160 mm	200 mm
H	38-50 mm	46-59 mm	53-68 mm	63-78 mm
A	87 mm	79 mm	122 mm	122 mm
ØT	M12x1.25	M16x1.25	M20x1.5	M20x1.5
Optional Load Range	-	M12x1.25	M16x1.5	M16x1.5
	50-500 Kg	200-1100 Kg	800-2100 Kg	1500-4000 Kg

MACHINE MOUNT - PM



PART NO	ØD	H		H1	Ød1	MAX. DEFL	LOAD (Kg)	NORMAL LOAD (Kg)
		MIN.	MAX					
PM - 1	80	43	55	150	M16x1.5	2	600	600 ± 300
PM - 2	120	48	60	250	M20x1.5	2	800	800 ± 300
PM - 3	160	57	70	250	M20x1.5	3	1000	1000 ± 300
PM - 4	200	64	80	250	M20x1.5	3	2200	2200 ± 300
PM - 1000	133	54	74	160	M16x1.5	2	1000	1000 ± 300
PM - 2500	195	66	86	180	M20x1.5	2	2500	2500 ± 300